

## Specification

### LOAD

See datasheet for RAPID LCM

|                        |                                   |
|------------------------|-----------------------------------|
| <b>SUPPLY VOLTAGE</b>  | 12VDC                             |
| <b>TIME OUT PERIOD</b> | Adjustable 1 minute to 99 minutes |
| <b>LIGHT LEVEL</b>     | Light to dark                     |
| <b>MATERIAL</b>        | Flame retardant ABS               |
| <b>TYPE</b>            | Class 2                           |
| <b>TEMPERATURE</b>     | -10°C to 35°C                     |
| <b>CONFORMITY</b>      | RED-2014/53/EU<br>LVD-2014/35/EU  |

For further compliance information visit  
[www.cpelectronics.co.uk/compliance](http://www.cpelectronics.co.uk/compliance)

## Microwave frequency compatibility

The allowable frequency of operation of this product is different depending on region. Please select the correct order code using the table below.

| Suffix | Region  | Frequency |
|--------|---|-----------|
| blank  | UK, China, India, Middle East, Malaysia, Hong Kong, Singapore   | 10.587GHz |
| -R2    | Australia and all of Europe <u>except</u> : UK, France, Portugal, Germany, Switzerland, Austria, Slovak Republic, Republic of Ireland | 10.525GHz |
| -R3    | France, Portugal, Switzerland   | 9.900GHz  |

## Part Numbers

|                    | Part number | Description                                       |
|--------------------|-------------|---|
| <b>Detector</b>    | EBR-MWS3A   | RAPID ceiling mounted microwave presence detector |
| <b>Accessories</b> | MWS3A-DBB   | Surface mounting box                              |
|                    | UNLCDHS     | Universal LCD IR handset                          |

### IMPORTANT NOTICE!

This device should be installed by a qualified electrician in accordance with the latest edition of the IEE wiring regulations.



CP Electronics - a business unit of  
 Legrand Electric Limited  
 Brent Crescent, London NW10 7XR UK  
 Tel: +44 (0)333 900 0671  
 Fax: +44 (0)333 900 0674

A brand of **legrand**  
[www.cpelectronics.co.uk](http://www.cpelectronics.co.uk)  
[enquiry@cpelectronics.co.uk](mailto:enquiry@cpelectronics.co.uk)

Due to our policy of continual product improvement CP Electronics reserves the right to alter the specification of this product without prior notice. Ref: #WD344 Issue 7

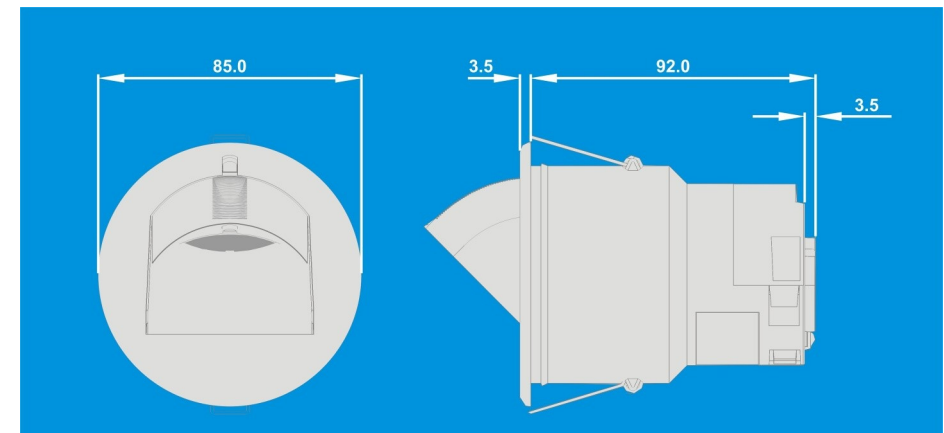


## EBR-MWS3A

### Ceiling Microwave Presence Detector



## Dimensions



## Description and Operation

The EBR-MWS3A presence detectors are designed to provide automatic control of lighting via the RAPID lighting control system. They detect movement using a highly sensitive microwave detector. This works by emitting low power microwave signals and measuring the reflections as the signals bounce off moving objects. The EBR-MWS3A has a unique adjustable sensor head that allows the area of detection to be optimised for the application. When an area is occupied the Rapid system can be programmed to turn the lights on. When an area is no longer occupied the load will switch off after an adjustable time out period. An adjustable internal light sensor provides light level information to the RAPID system to allow lights to be kept off if sufficient daylight is present, and to enable maintained illuminance for dimming systems.

An integral IR sensor in the unit allows the unit to be commissioned, and used in conjunction with a remote control handset (part no: UHS) to:

- Act as a conventional dimmer
- Override the unit on or off
- Change the maintained illuminance lux setting

## Installation & Fixing

Wire the products as in the diagram opposite, simply by connecting to the relevant port of the Rapid LCM using a Cat5 patch cord. An additional RJ45 connector is provided to daisy chain sensors together.

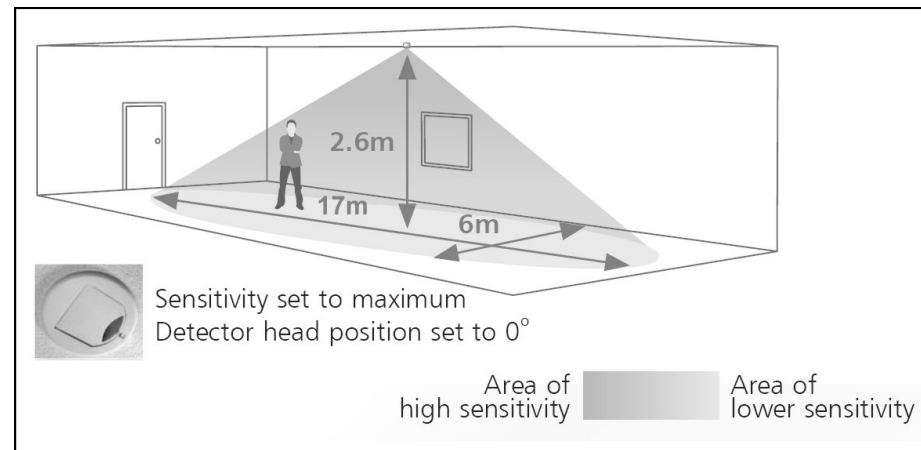
The detector should be sited so that the occupants of the room fall inside the detection pattern shown overleaf, at a recommended ceiling height of 2.8m.

**Corridors or aisles:** the unit should be placed at the end of the corridor or aisle and the sensor head should be angled to look down the corridor or aisle.

**Open plan areas and offices:** the unit can be mounted in a corner looking outwards in which case the sensor head should be angled. Or the unit can be mounted in the centre of the area with the sensor head flat.

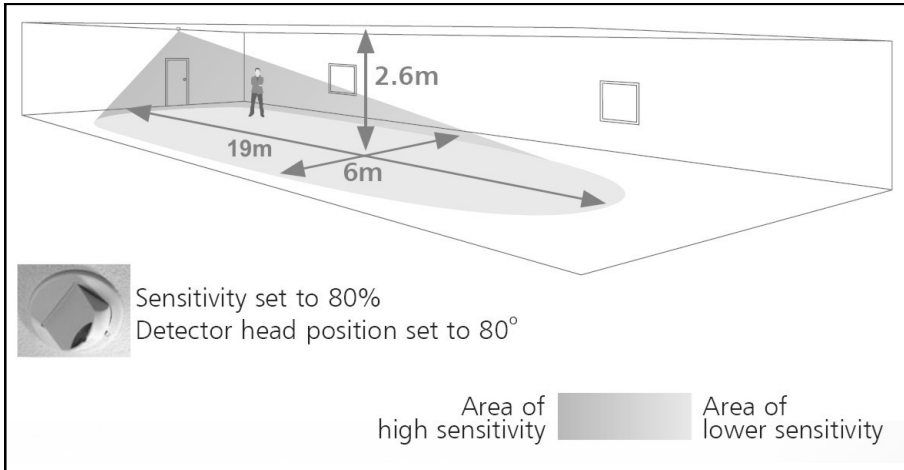
Note that the higher the sensor is installed the shorter the detection range will be.

- Mount using one of the two options overleaf (for surface fixing order the MWS3A-DBB as a separate item).
- Do not site within 1m of any lighting or ventilation equipment.
- Do not fix to a vibrating surface.
- Site as far away as possible from the surface of metal objects.

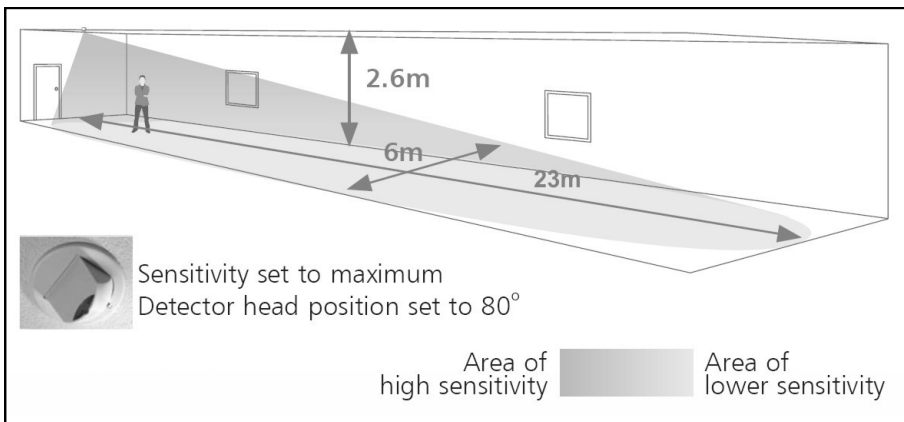


IDEAL FOR OPEN PLAN AREAS AND OFFICES

## DETECTION PATTERNS



IDEAL FOR LARGE OFFICE OR CLASSROOM APPLICATIONS



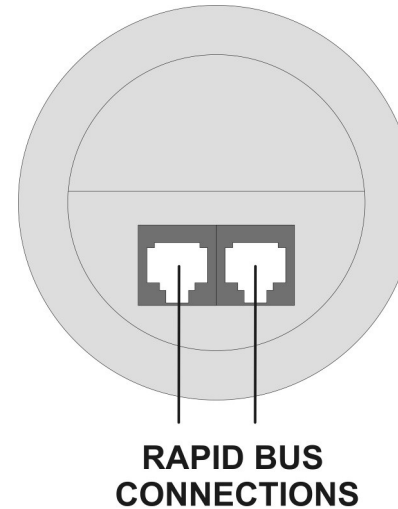
IDEAL FOR CORRIDOR OR AISLE APPLICATIONS

## Commissioning

Commissioning will normally be performed by our trained commissioning engineers. Please note that prior to commissioning, it is the responsibility of the installing contractor to ensure the following:

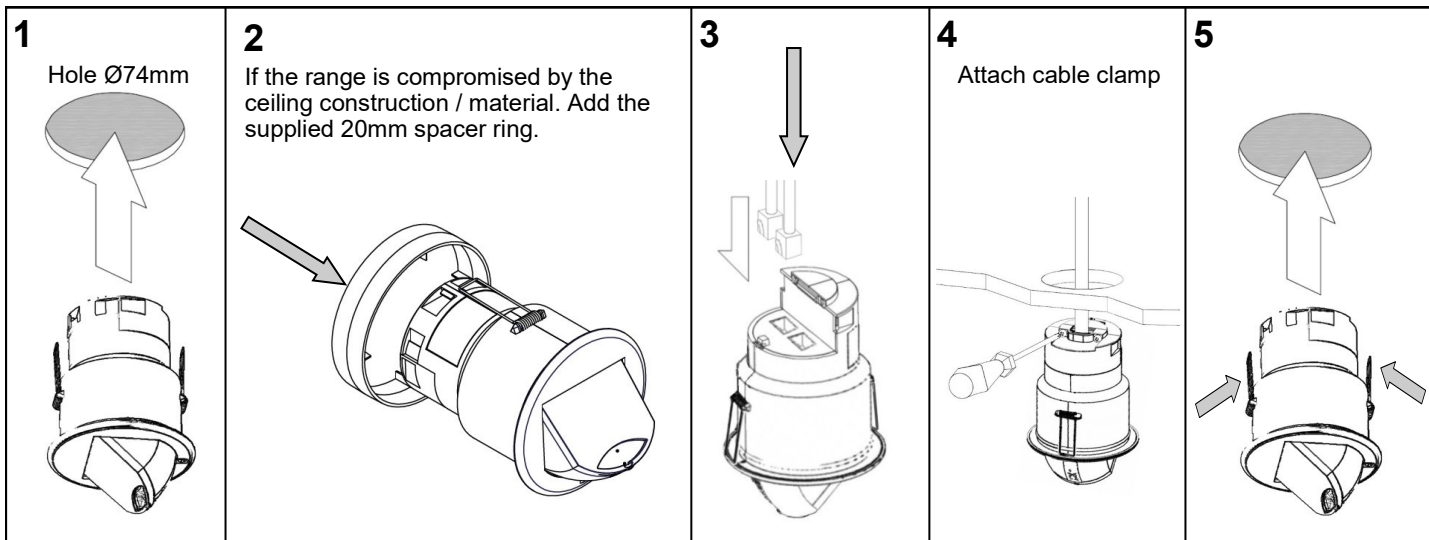
- The RAPID LCMs must be connected and installed as described in the relevant datasheet
- The detectors must be installed and plugged into the channel of the LCM as shown on the system installation drawings
- Mains power must be available
- Luminaires must be plugged in
- Bus connection must be established and checked

The detector can be set up using our infrared programming handset or computer front end. For programming details see the separate programming document.



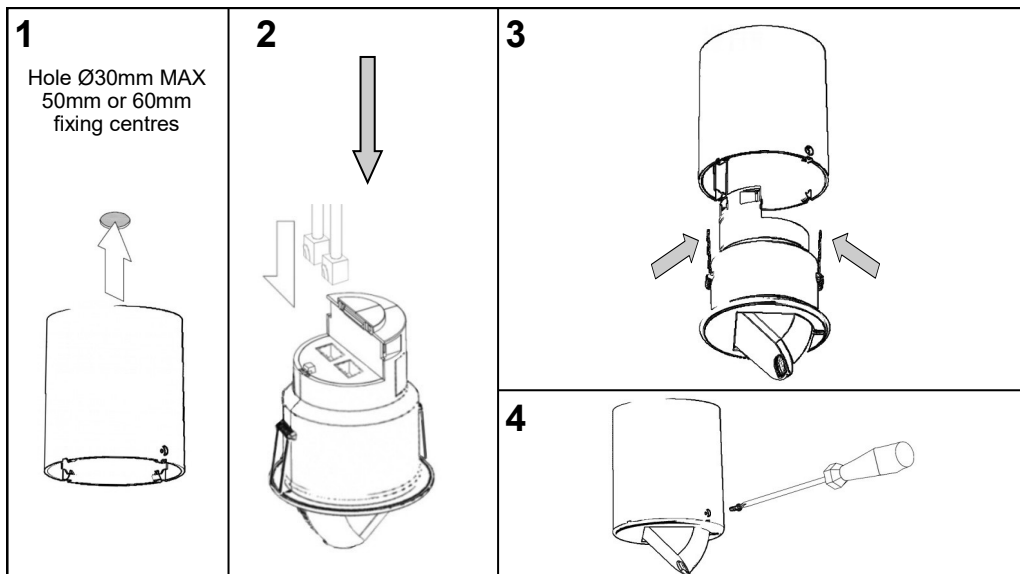
## FLUSH FIXING

*Warning - be careful bending springs when mounting unit.*



## SURFACE FIXING

*Warning - be careful bending springs when mounting unit.*



## HEAD LOCKING

